

**SPIRAL2**

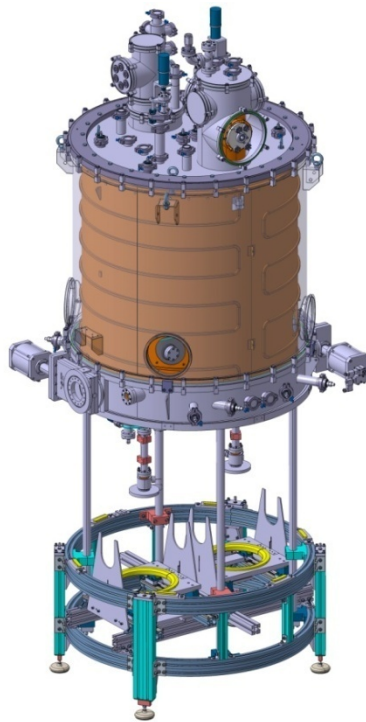
**LINAC**

The design team has been involved since 2003 in a number of developments carried out by the laboratory as part of the construction of the superconducting linear accelerator SPIRAL2:

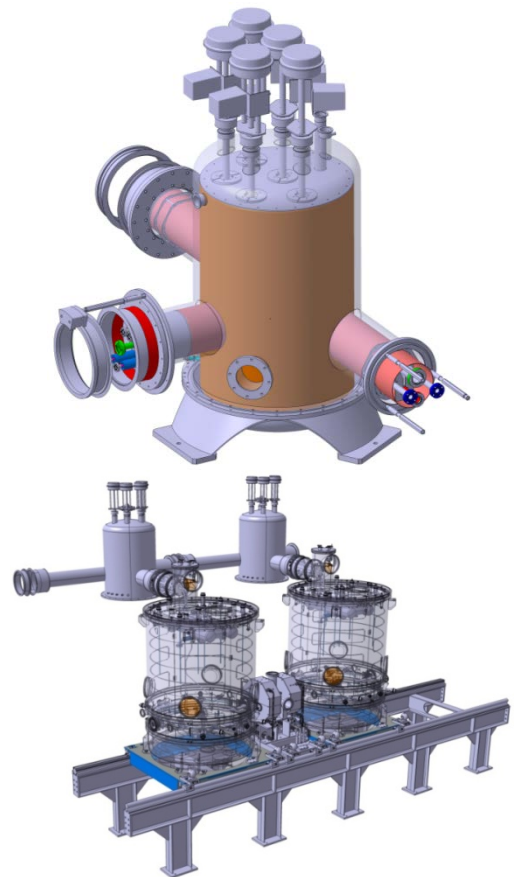
- The quarter-wave cavity beta 0.12,  $f = 88$  MHz
- The cryomodule B (CMB)
- The assembly and testing tools
- The cryogenic distribution lines for the accelerator
- The electrostatic position detectors BPM



Cryomodule B



Tooling

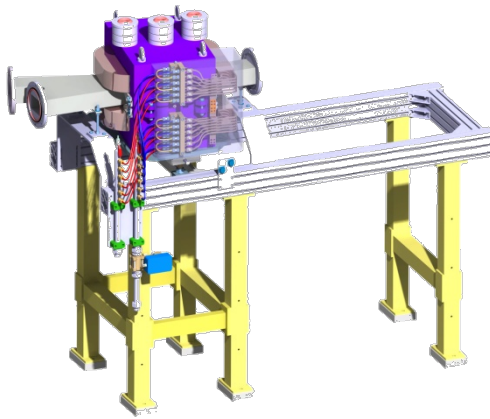


CMB Section

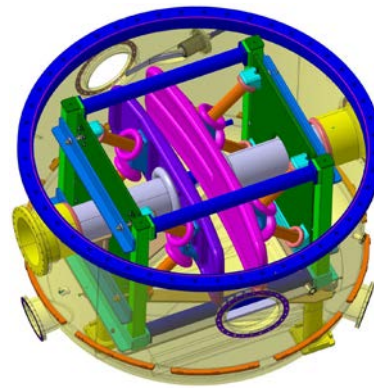
**SPIRAL2 Experimental halls**

Since 2011, the group has been in charge of additional studies for the experimental rooms NFS, S3 and DESIR within the SPIRAL2 project, especially:

- the magnetic deflecting dipole for the protons for NFS
- the electrostatic dipole for S3



NFS Magnetic Dipole



S3 Electrostatic dipole

- the design of the cryogenic distribution lines for S3
- the resonant ionization laser ion source in a gaseous medium for S3
- the electrostatic beam transport lines towards the DESIR hall